

**TRAILING EDGE PRODUCT - MINIMUM ORDER APPLIES.
PRODUCT MAY BE MADE OBSOLETE WITHOUT NOTICE**



32K x 32 EEPROM MODULE

PUMA 2E1000 - 150/200/250

Issue 4.1 : May 2001

Elm Road, West Chirton, NORTH SHIELDS, Tyne & Wear
NE29 8SE, England Tel. +44 (0191) 2930500 Fax. +44 (0191) 2590997

Description

The PUMA 2E1000 is a 1Mbit EEPROM module user configurable as 32Kx32, 64Kx16 or 128Kx8. Available with access times of 150, 200 & 250ns the device has an industry standard ceramic 66 pin P.G.A footprint.

The device features byte and page write facility, 10,000 Write Erase cycle capability and data retention time of 10 years.

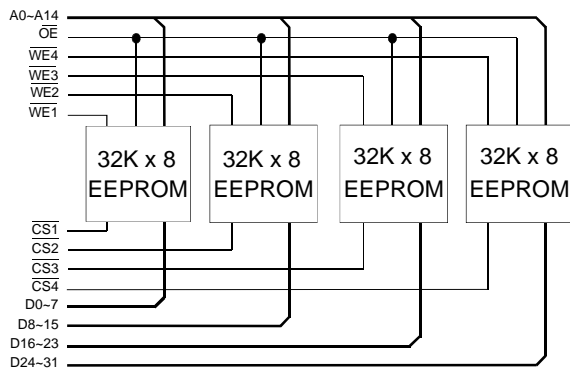
The device may be screened in accordance with MIL-STD-883

1,048,576 bit CMOS High Speed EEPROM

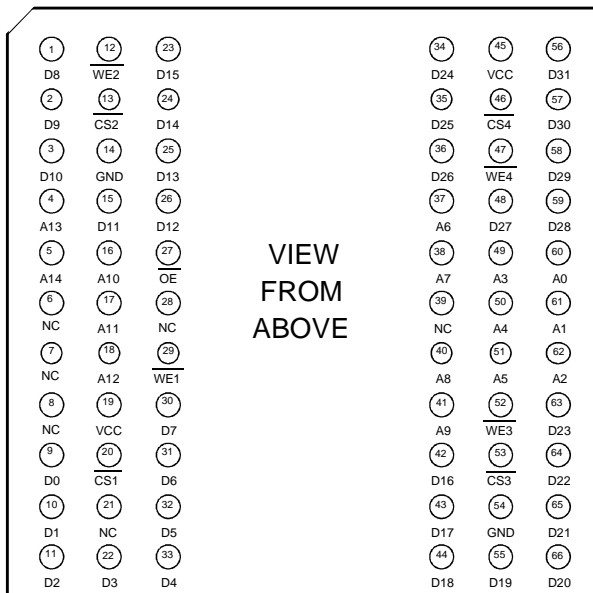
Features

- Access times of 150/200/250 ns.
- User Configurable as 8 / 16 / 32 bit wide.
- Upgradeable footprint.
- Package Suitable for Thermal Ladder Applications.
- Single byte and Page Write operation.
- DATA Polling and Toggle Bit for End of Write Detection.
- Hardware and Software Data Protection.
- May be screened in accordance with MIL-STD-883.

Block Diagram



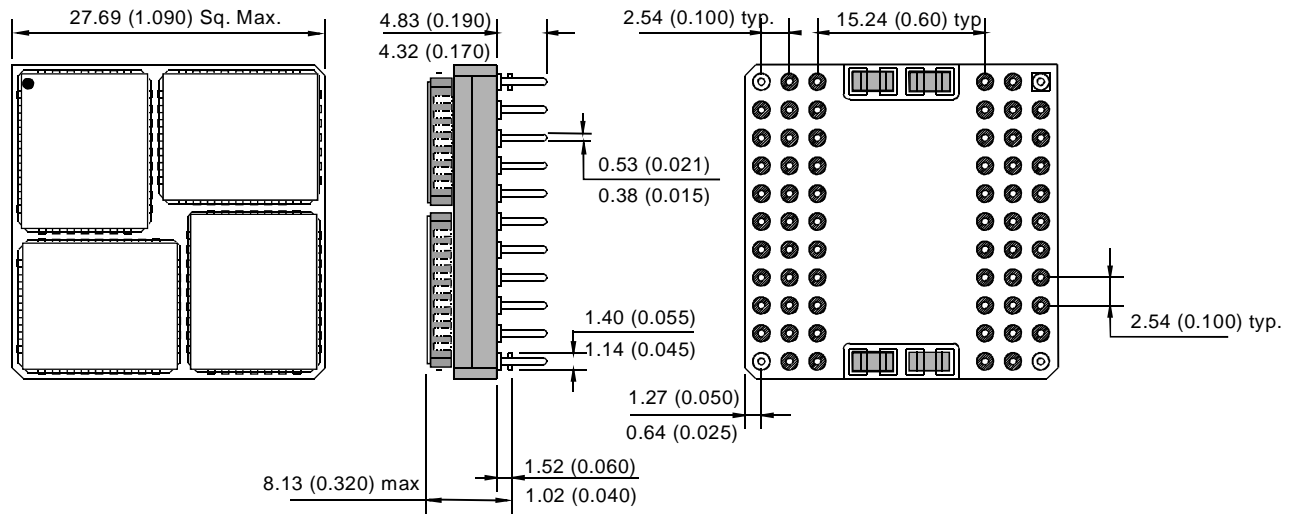
Pin Definition



Pin Functions

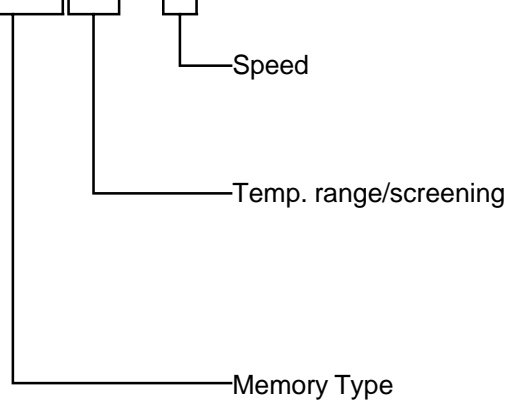
- | | |
|-----------------------------------|----------------------------------|
| <u>A0-14</u> Address Inputs | <u>D0-31</u> Data Inputs/Outputs |
| <u>CS1-4</u> Chip Select | <u>OE</u> Output Enable |
| <u>WE1-4</u> Write Enable | <u>NC</u> No Connect |
| <u>V_{cc}</u> Power (+5V) | <u>GND</u> Ground |

Package Details Dimensions in mm (inches).



Ordering Information

PUMA 2E1000MB - 15



- 15 = 150 ns
- 20 = 200 ns
- 25 = 250 ns

- Blank = Commercial Temp.
- I = Industrial Temp.
- M = Military Temp.
- MB = Screened in accordance with MIL-STD-883

E1000 = EEPROM (Configurable as 32Kx32, 64Kx16 or 128Kx8)

THE ABOVE PARTS ARE NOT RECOMMENDED FOR NEW DESIGNS AND MAY BE MADE OBSOLETE WITHOUT NOTICE....

Note :

Although this data is believed to be accurate the information contained herein is not intended to and does not create any warranty of merchantability or fitness for a particular purpose. Our products are subject to a constant process of development. Data may be changed without notice. Products are not authorised for use as critical components in life support devices without the express written approval of a company director.